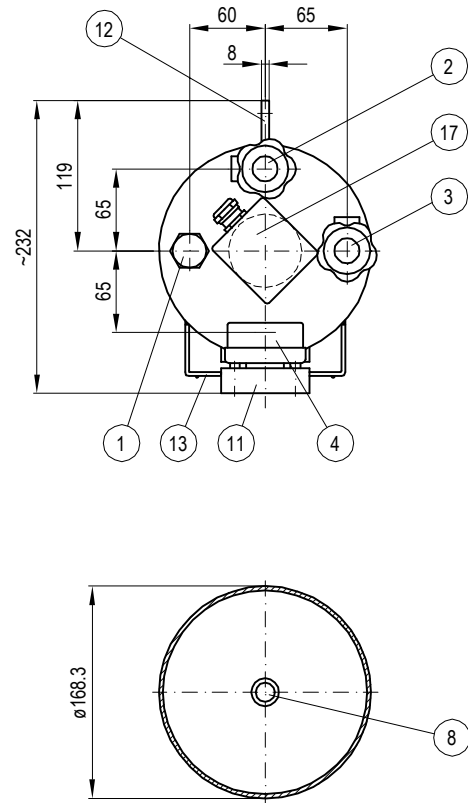
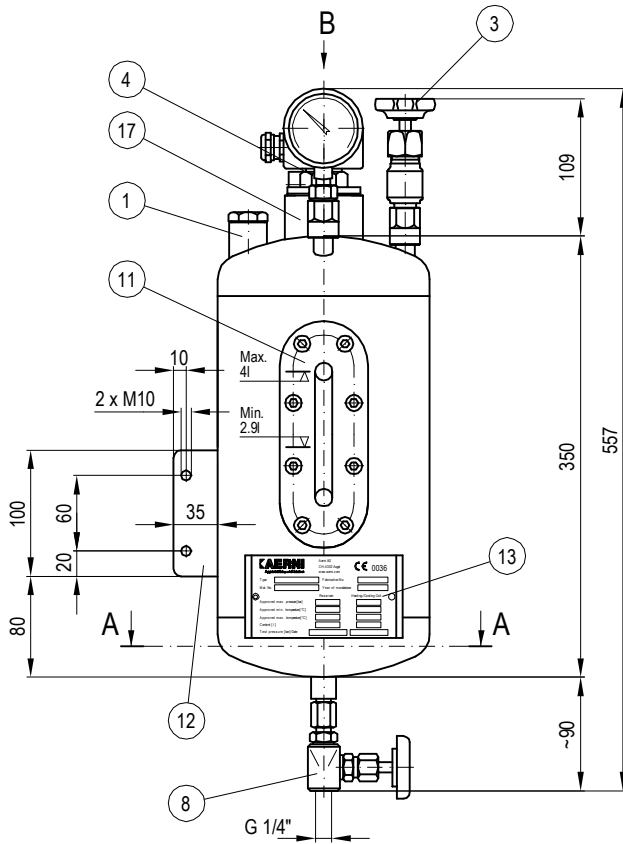


**Ansicht B**  
View B/Vue B



**Schnitt A-A**  
Cut A-A/Coupe A-A

The positions of the connections and the console are according to view B  
Construction and fabrication according to the rules of AD 2000 at the present valid version

**Technical data vessel**

Reservoir total contents:	6 l
Reservoir usable contents:	4 l
Admitted working pressure:	23 bar
Admitted working temperature:	200 °C
Weight:	13.2 kg

**Materials**

Reservoir:	Stainless steel 1.4435/1.4404/1.4571
Fittings:	Stainless steel 1.4435/1.4404/1.4571
Pressure gauge:	Measuring system 1.4571/Case 1.4301
Joints:	<input type="checkbox"/> Durlon 8500 (green) <input type="checkbox"/> Durlon 9000 (white)
Inspection glass:	Maxos DIN 7081
Inspection glass cap:	Stainless steel 1.4435

Surface: Outside and inside pickled

**Position of nozzels and parts (Index)**

1	Inlet connection with plug G 1/2"
2	Pressure gas valve G 1/4" item 5317
3	Air outlet valve G 1/4" item 5317
4	Pressure gauge G 1/4" ø63 <input type="checkbox"/> 0-10 bar <input type="checkbox"/> 0-16 bar <input type="checkbox"/> 0-25 bar
5	-
6	-
7	-
8	Draining outlet with regulating valve G 1/4"
9	-
10	-
11	Inspection glass long shape 115x14mm
12	Clamping plate
13	Specification plate
14	-
15	-
16	-
17	Level switch G 1 1/2" type Kübler <input type="checkbox"/> Min. (L=205) <input type="checkbox"/> Max. (L=145)
18	-
19	-
20	-
21	-
22	-

**Fluid Container**

**Type AF-Ro 168**

**MB-3843.00E**

Rosenmund standard

Index: **a**

Drawn:	08.10.2001	DM	Examined:	08.10.2001	Ma	last rev.:	04.03.2005	CS	Customer:
--------	------------	----	-----------	------------	----	------------	------------	----	-----------