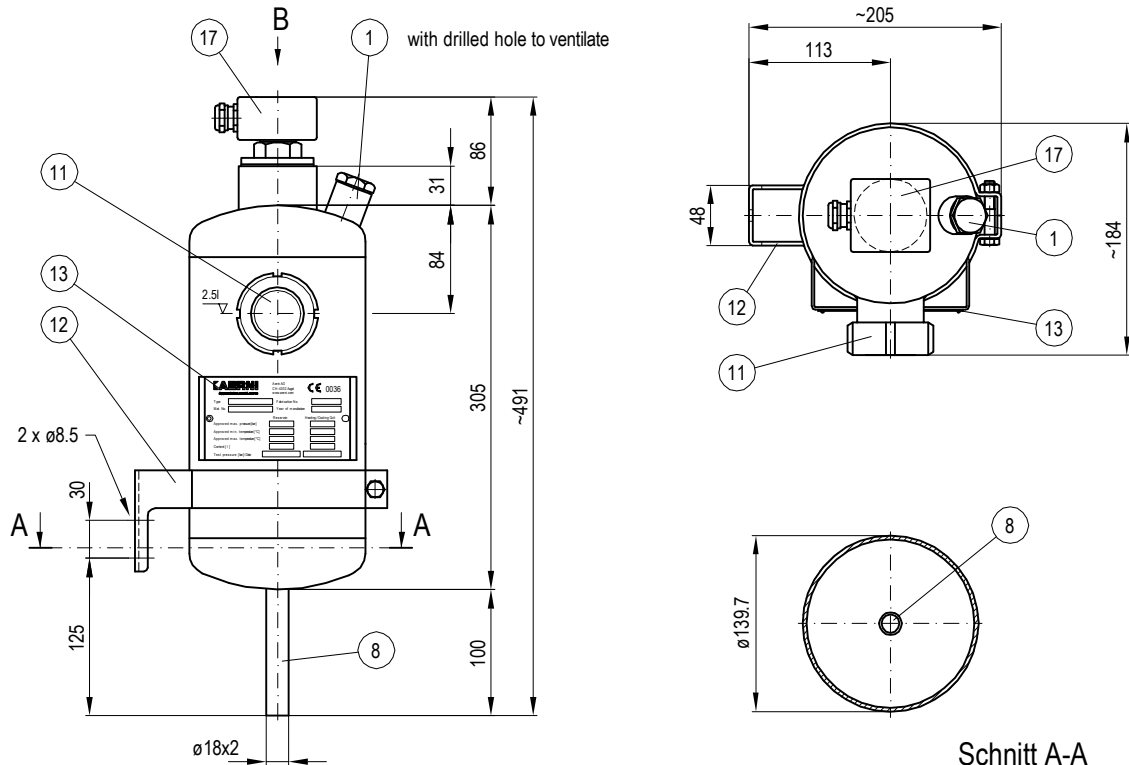


Ansicht B
View B/Vue B



Schnitt A-A
Cut A-A/Coupe A-A

The positions of the connections and the console are according to view B
Construction and fabrication according to the rules of AD 2000 at the present valid version

Technical data vessel

Reservoir total contents:	3 l
Reservoir usable contents:	2.5 l
Admitted working pressure:	25 bar
Admitted working temperature:	200 °C
Weight:	6.5 kg

Position of nozzels and parts (Index)

- 1 Inlet connection with plug G 1/2"
- 2 -
- 3 -
- 4 -
- 5 -
- 6 -
- 7 -
- 8 Outlet connection $\varnothing 18 \times 2 \text{mm}$
- 9 -
- 10 -
- 11 Inspection glass sight surface DN 45mm
- 12 Clamping ring (adjustable)
- 13 Specification plate
- 14 -
- 15 -
- 16 -
- 17 Level switch G 1 1/2" type Kübler Min. (L=205) Max. (L=145)
- 18 -
- 19 -
- 20 -
- 21 -
- 22 -

Materials

Reservoir:	Stainless steel 1.4435/1.4404/1.4571
Joints:	<input type="checkbox"/> Durlon 8500 (green) <input type="checkbox"/> Durlon 9000 (white)
Inspection glass:	Maxos DIN 7080
Female screw of inspection glass:	Stainless steel 1.4301
Surface:	Outside and inside pickled

Recipient Vessel

Type AFV 3L

MB-4771.00E

Index:

Drawn: 05.10.2001 DM Exemined: 05.10.2001 Ma last rev.:

Customer: